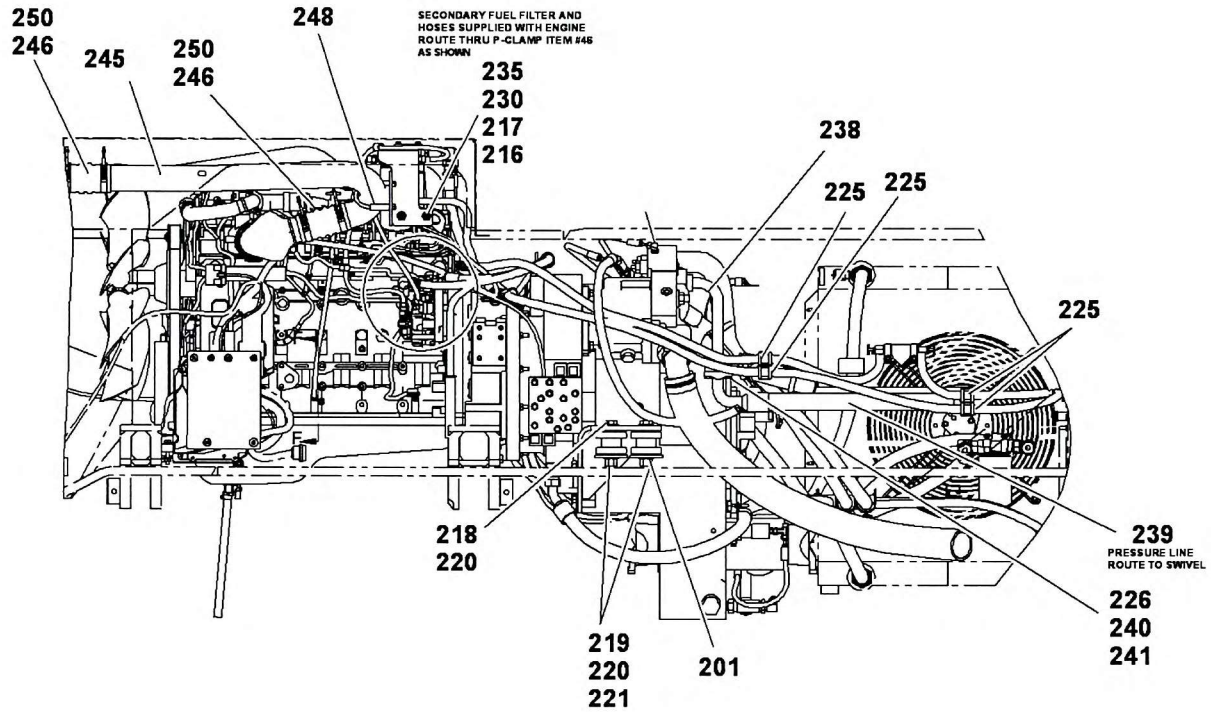
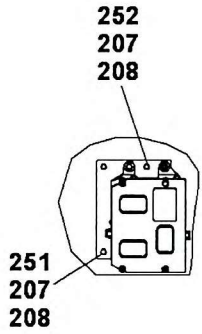
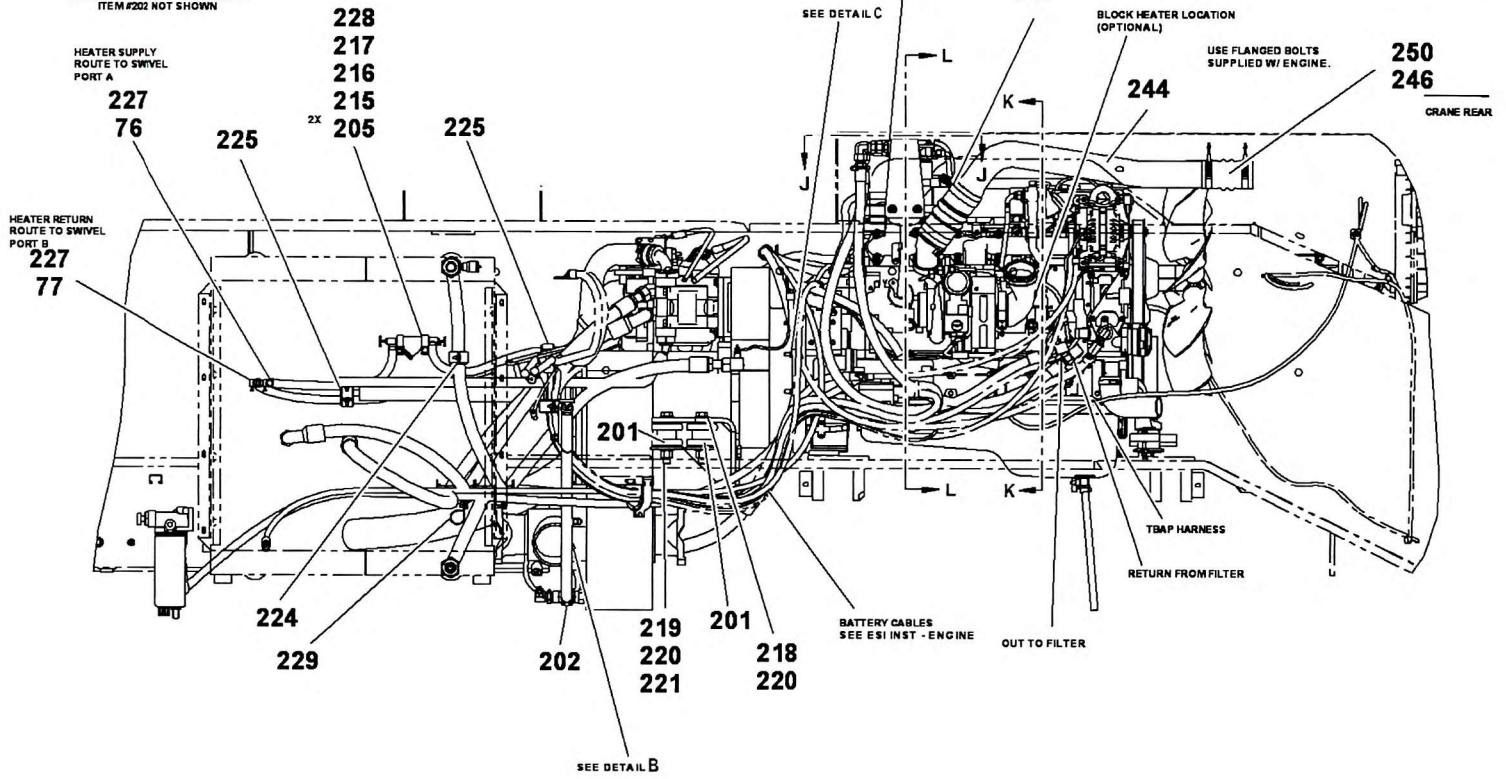
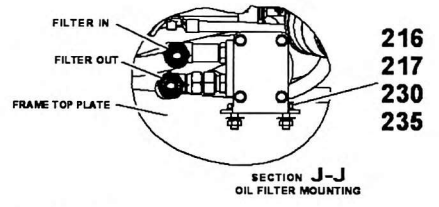
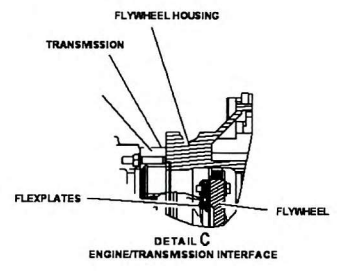
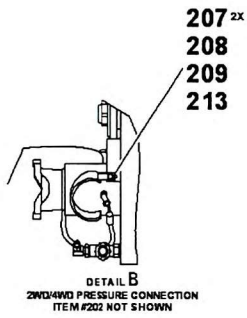


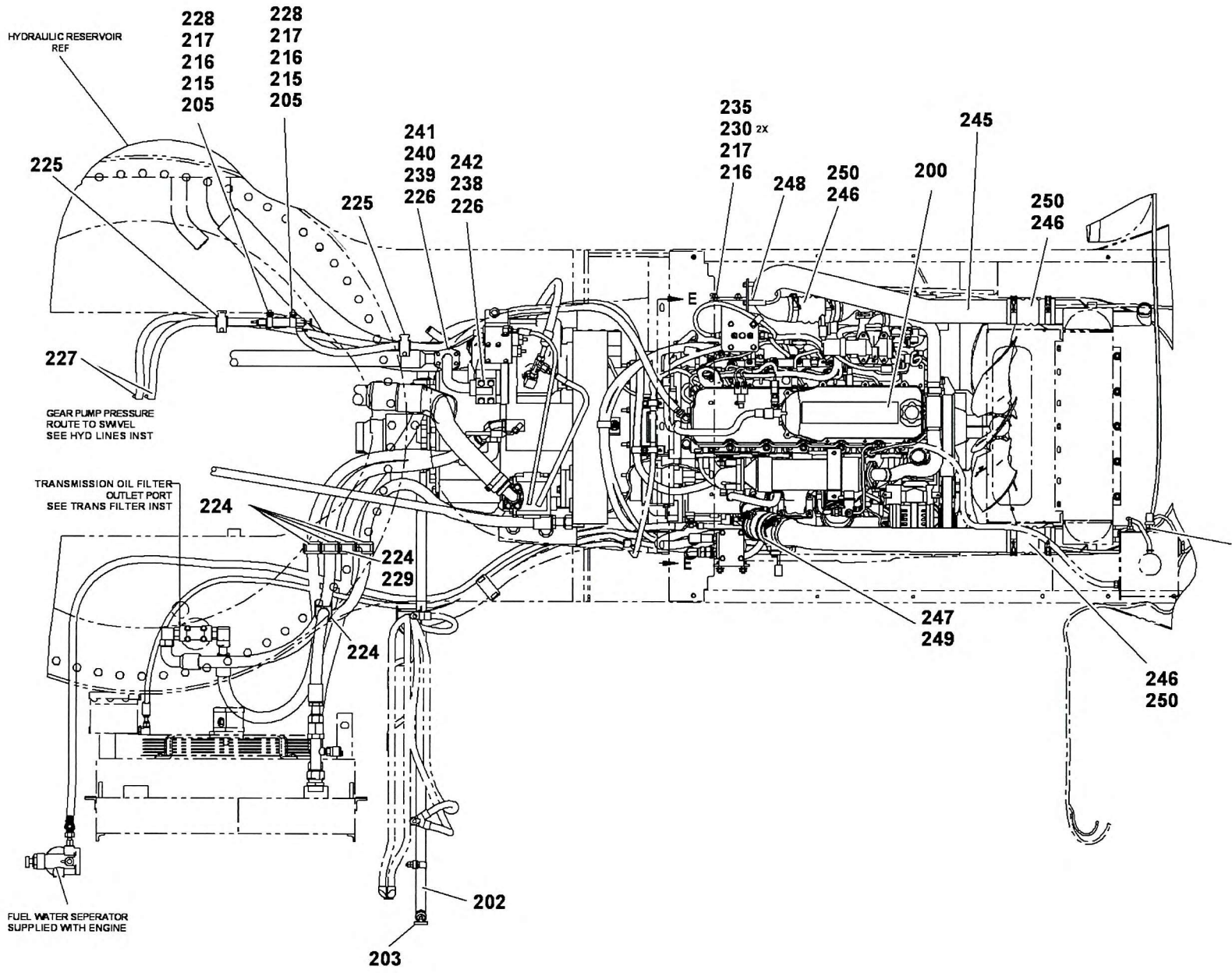
(SHEET 4 OF 4)

80038512





(SHEET 2 OF 4)



(SHEET 1 OF 4)